



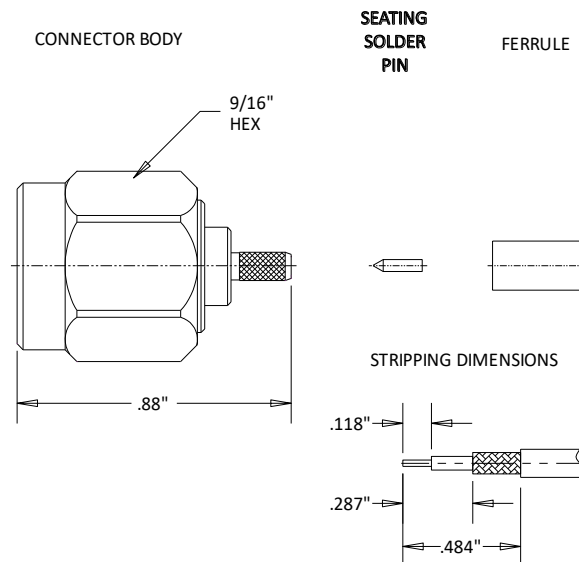
CX3183 TNC/Male Solder/Crimp Connector for RG316/LMR100

Rev 000

Electrical	
Frequency	0-3 GHZ
Impedance	50 Ohms
Materials	
Body	Tri-Alloy Plated Brass
Contact	Phosphor Bronze
Contact Plating	SucoPRO
Dielectric	PTFE
ROHS Compliant	



Outline



Dimensional Tolerances

.X	±.030
.XX	±.010
.XXX	±.005