



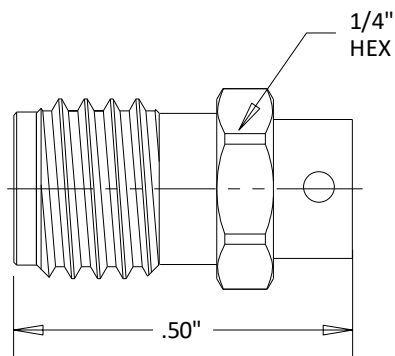
CX4024 SMA/Female Solder Connector for RG402(.141) 18 GHZ

Rev 000

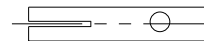
| | |
|----------------------|---------------------------|
| Electrical | |
| Frequency | 0-18 GHZ |
| Impedance | 50 Ohms |
| Mechanical | |
| SMA Interface per | MIL-STD-348B |
| Operating Temp Range | -55°C to +125°C |
| Materials | |
| Body | Au Plated Stainless Steel |
| Contacts | BeCu |
| Contact Plating | Au 30μ" Min |
| ROHS Compliant | |



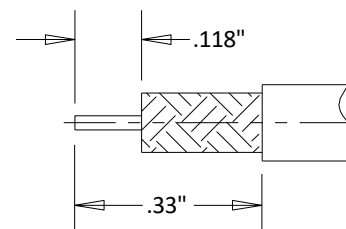
Outline



CENTER PIN



STRIPPING DIMENSIONS



Dimensional Tolerances

| | |
|------|-------|
| .X | ±.030 |
| .XX | ±.010 |
| .XXX | ±.005 |