



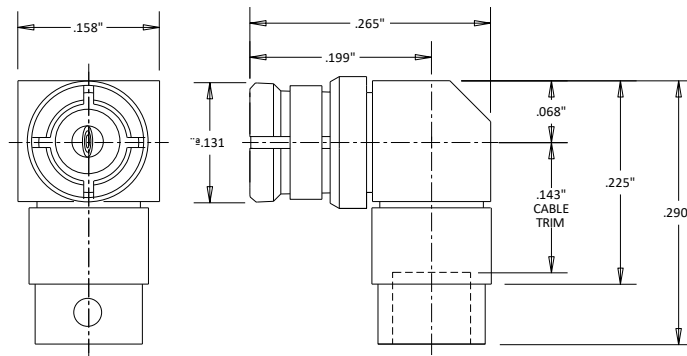
## CX4515 SMP/Female Right Angle Connector for 086 Cable 40 GHZ

Rev 000

<b>Electrical</b>	
Frequency	0 – 40 GHZ
Impedance	50 Ohms
<b>Mechanical</b>	
SMA & SMP Interface per	MIL-STD-348B
<b>Materials</b>	
Body	Au Plated BeCu
Contacts	BeCu
Contact Plating	Au 50 $\mu$ " Min
Dielectric	PTFE



### Outline



#### Dimensional Tolerances

.X	$\pm .030$
.XX	$\pm .010$
.XXX	$\pm .005$

