



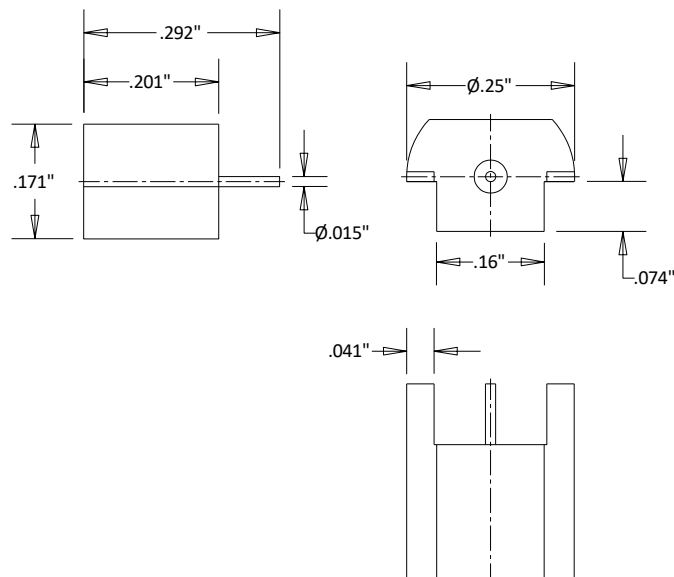
## CX4559 SMP/Male Limited Détente Edge Launch Connector

Rev 000

<b>Electrical</b>	
Impedance	50 Ohms
<b>Mechanical</b>	
SMP Interface per	MIL-STD-348B
<b>Materials</b>	
Body	Au Plated Brass
Contacts	BeCu
Contact Plating	Au 30μ" Min
Dielectric	PTFE
ROHS Compliant	



### Outline



#### Dimensional Tolerances

.X	±.030
.XX	±.010
.XXX	±.005